

PART NUMBER

EB9SFB

MODEL DESCRIPTION

EB98 BOX, STAINLESS STEEL FLUSH SOFT CLOSE LID BEVEL SURROUND, 4 X PROVISION TO MOUNT STANDARD PLATE

- EnduraBox 98 Series Floor Box with Stainless Steel Flush Lid
- Box size 257 x 251 x 98mm Deep
- Fitted with 4 x Provision To Mount Standard Plate
- Floor Box Lid 304 Grade Stainless Steel with Soft Closing Functionality



esco
industries

THE ESCO GROUP OF COMPANIES

esco MARSH **MediTek**
industries

modempak

ESCO INDUSTRIES

89 Egerton St (Cnr Fariola & Egerton)
PO Box 6193, Silverwater
NSW 2128 AUSTRALIA

T 1300 879 363 F 1300 879 364

customer.service@escoindustries.com.au
www.escoindustries.com.au

MODEMPAK NZ

30 Fairfax Ave, Penrose
AUCKLAND 1642 NEW ZEALAND

D +64 9 526 1880 Freecall 0800 663 367

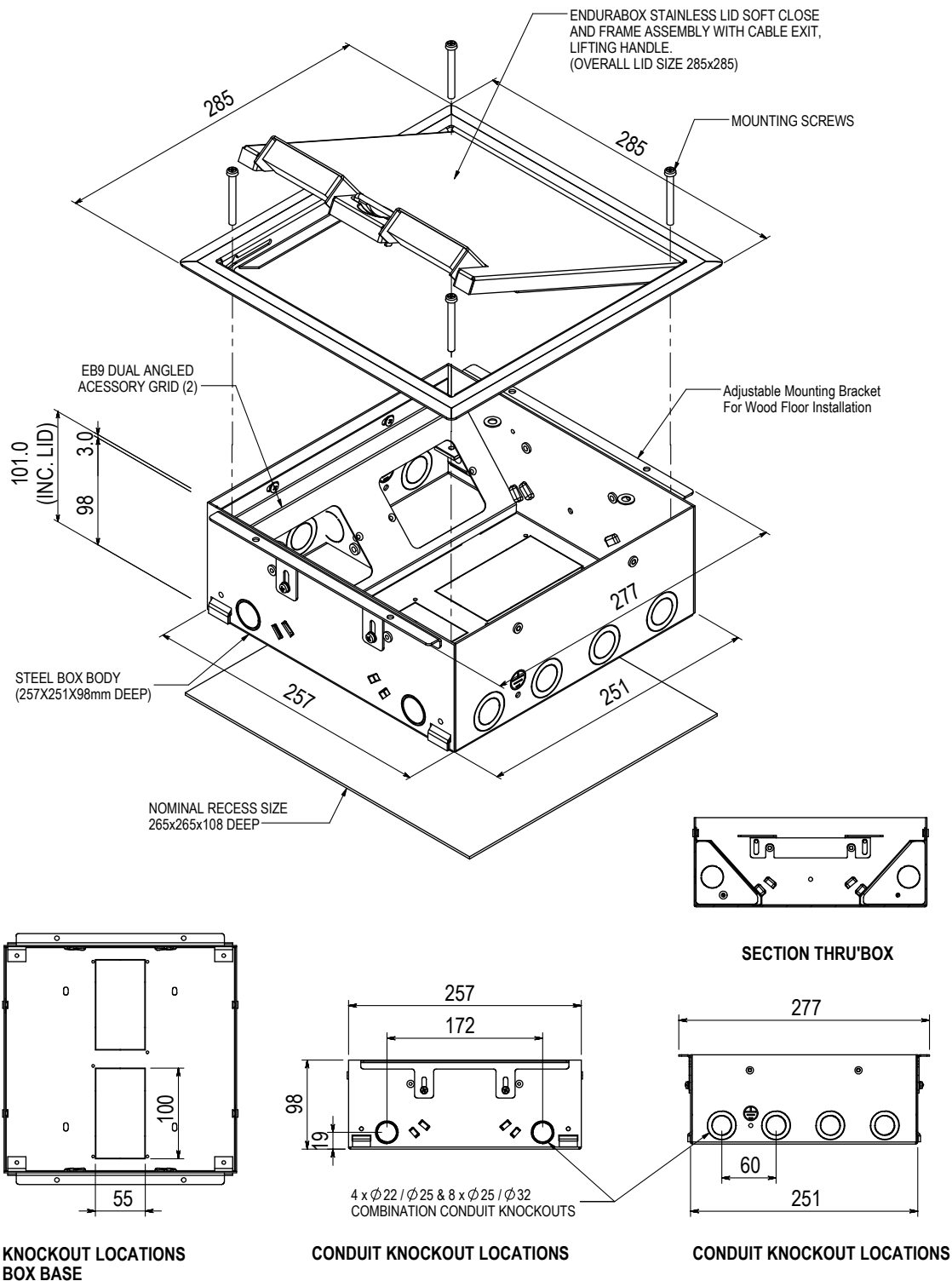
F +64 9 580 0606
customer.service@modempak.co.nz
www.modempak.co.nz

ASSEMBLY DIAGRAM

EB9SFB

MODEL DESCRIPTION

EB98 BOX, STAINLESS STEEL FLUSH SOFT CLOSE LID BEVEL SURROUND, 4 X PROVISION TO MOUNT STANDARD PLATE



PART NUMBER

EB9SRB

MODEL DESCRIPTION

EB98 BOX, STAINLESS STEEL RECESS SOFT CLOSE LID BEVEL SURROUND, 4 X PROVISION TO MOUNT STANDARD PLATE

- EnduraBox 98 Series Floor Box with Stainless Steel Recess Lid
- Box size 257 x 251 x 98mm Deep
- Fitted with 4 x Provision To Mount Standard Plate
- Floor Box Lid 304 Grade Stainless Steel with Soft Closing Functionality



EB9SRB

esco
 industries

THE ESCO GROUP OF COMPANIES

esco MARSH **MediTek**
 industries

modempak

ESCO INDUSTRIES

89 Egerton St (Cnr Fariola & Egerton)
 PO Box 6193, Silverwater
 NSW 2128 AUSTRALIA

MODEMPAK NZ

30 Fairfax Ave, Penrose
 AUCKLAND 1642 NEW ZEALAND

T 1300 879 363 F 1300 879 364

customer.service@escoindustries.com.au
 www.escoindustries.com.au

D +64 9 526 1880 Freecall 0800 663 367

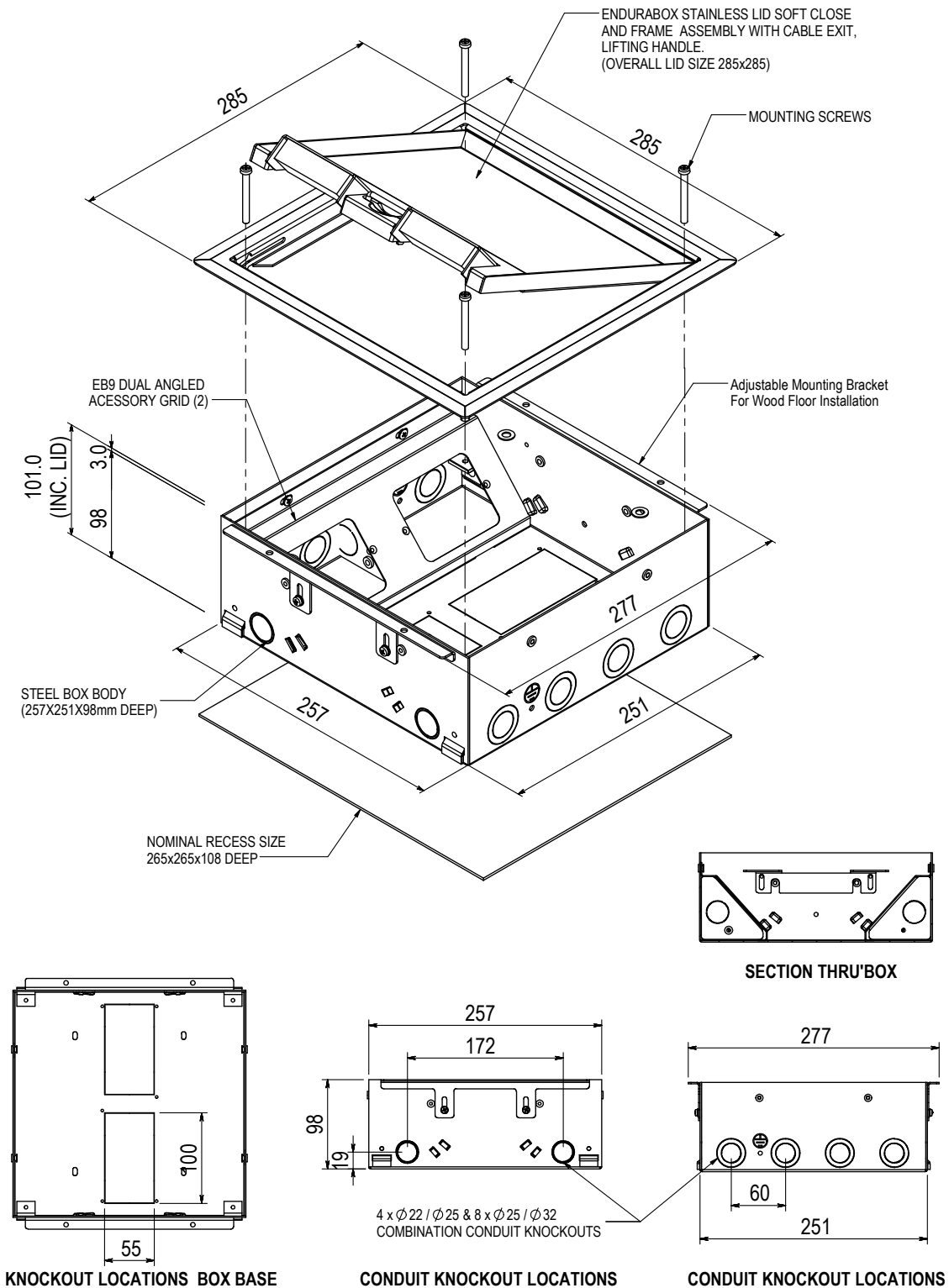
F +64 9 580 0606
 customer.service@modempak.co.nz
 www.modempak.co.nz

ASSEMBLY DIAGRAM

EB9SRB

MODEL DESCRIPTION

EB98 BOX, STAINLESS STEEL RECESS SOFT CLOSE LID BEVEL SURROUND, 4 X PROVISION TO MOUNT STANDARD PLATE



PART NUMBER

EB9PRB

MODEL DESCRIPTION

EB98 BOX, PLASTIC RECESS LID BEVEL SURROUND, 4 X PROVISION TO MOUNT STANDARD PLATE

- EnduraBox 98 Series Floor Box with Plastic Recess Lid
- Box size 257 x 251 x 98mm Deep
- Fitted with Provision to Mount 4 x Standard Mounting Plate



esco
industries

THE ESCO GROUP OF COMPANIES

esco MARSH **MediTek**
industries

modempak

ESCO INDUSTRIES

89 Egerton St (Cnr Fariola & Egerton)
PO Box 6193, Silverwater
NSW 2128 AUSTRALIA

T 1300 879 363 F 1300 879 364

customer.service@escoindustries.com.au
www.escoindustries.com.au

MODEMPAK NZ

30 Fairfax Ave, Penrose
AUCKLAND 1642 NEW ZEALAND

D +64 9 526 1880 Freecall 0800 663 367

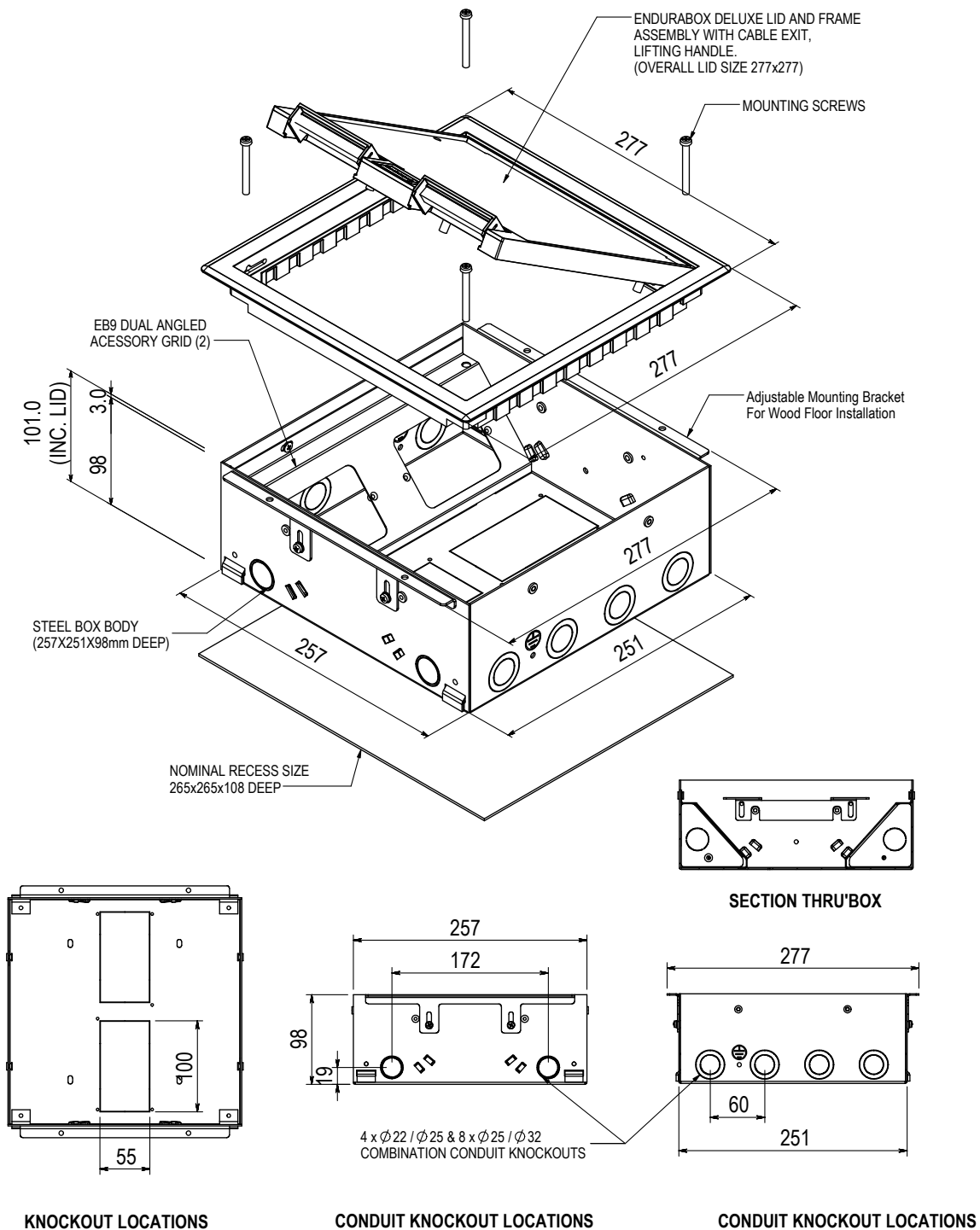
F +64 9 580 0606
customer.service@modempak.co.nz
www.modempak.co.nz

ASSEMBLY DIAGRAM

EB9PRB

MODEL DESCRIPTION

EB98 BOX, PLASTIC RECESS LID BEVEL SURROUND, 4 X PROVISION TO MOUNT STANDARD PLATE



PART NUMBER

EB9SHDFB

MODEL DESCRIPTION

EB98 BOX, STAINLESS STEEL HEAVY DUTY FLUSH SOFT CLOSE LID BEVEL SURROUND, 4 X PROVISION TO MOUNT STANDARD PLATE

- EnduraBox 98 Series Floor Box with Stainless Steel Heavy Duty Flush Lid
- Box size 257 x 251 x 98mm Deep
- Fitted with 4 x Provision To Mount Standard Plate
- Floor Box Lid 304 Grade Stainless Steel with Soft Closing Functionality



EB9SHDFB

esco
industries

THE ESCO GROUP OF COMPANIES

esco MARSH **MediTek**
industries

modempak

ESCO INDUSTRIES

89 Egerton St (Cnr Fariola & Egerton)
PO Box 6193, Silverwater
NSW 2128 AUSTRALIA

T 1300 879 363 F 1300 879 364

customer.service@escoindustries.com.au
www.escoindustries.com.au

MODEMPAK NZ

30 Fairfax Ave, Penrose
AUCKLAND 1642 NEW ZEALAND

D +64 9 526 1880 Freecall 0800 663 367

F +64 9 580 0606
customer.service@modempak.co.nz
www.modempak.co.nz

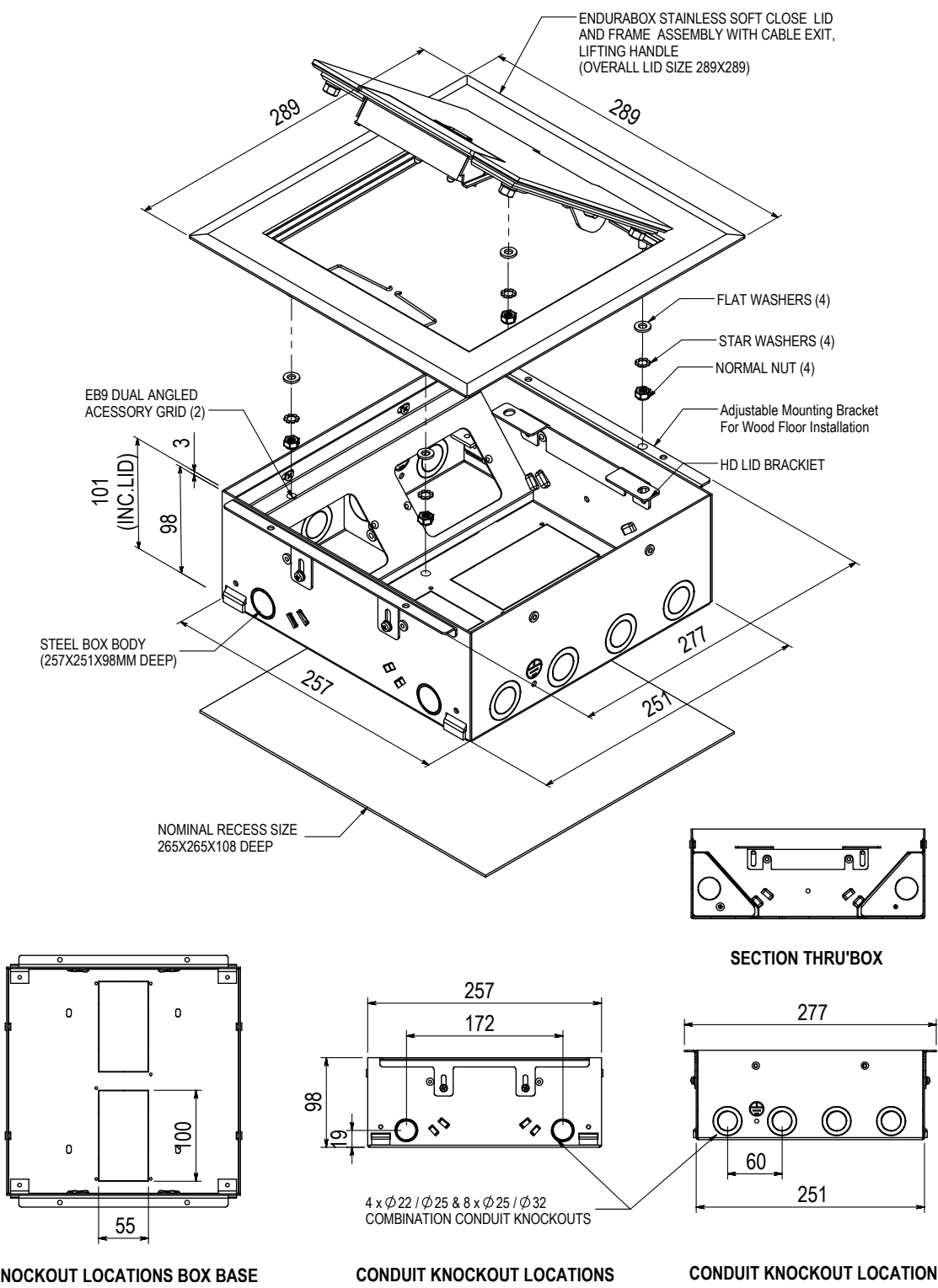
DATA SHEET

ASSEMBLY DIAGRAM

EB9SHDFB

MODEL DESCRIPTION

EB98 BOX, STAINLESS STEEL HEAVY DUTY FLUSH SOFT CLOSE LID BEVEL SURROUND, 4 X PROVISION TO MOUNT STANDARD PLATE



PART NUMBER

EB9SHDRB

MODEL DESCRIPTION

EB98 BOX, STAINLESS STEEL HEAVY DUTY RECESS SOFT CLOSE LID BEVEL SURROUND, 4 X PROVISION TO MOUNT STANDARD PLATE

- EnduraBox 98 Series Floor Box with Stainless Steel Heavy Duty Recess Lid
- Box size 257 x 251 x 98mm Deep
- Fitted with 4 x Provision To Mount Standard Plate
- Floor Box Lid 304 Grade Stainless Steel with Soft Closing Functionality



EB9SHDRB

esco
industries

THE ESCO GROUP OF COMPANIES

esco industries MARSH MediTek

modempak

ESCO INDUSTRIES

89 Egerton St (Cnr Fariola & Egerton)
PO Box 6193, Silverwater
NSW 2128 AUSTRALIA

T 1300 879 363 F 1300 879 364

customer.service@escoindustries.com.au
www.escoindustries.com.au

MODEMPAK NZ

30 Fairfax Ave, Penrose
AUCKLAND 1642 NEW ZEALAND

D +64 9 526 1880 Freecall 0800 663 367

F +64 9 580 0606
customer.service@modempak.co.nz
www.modempak.co.nz

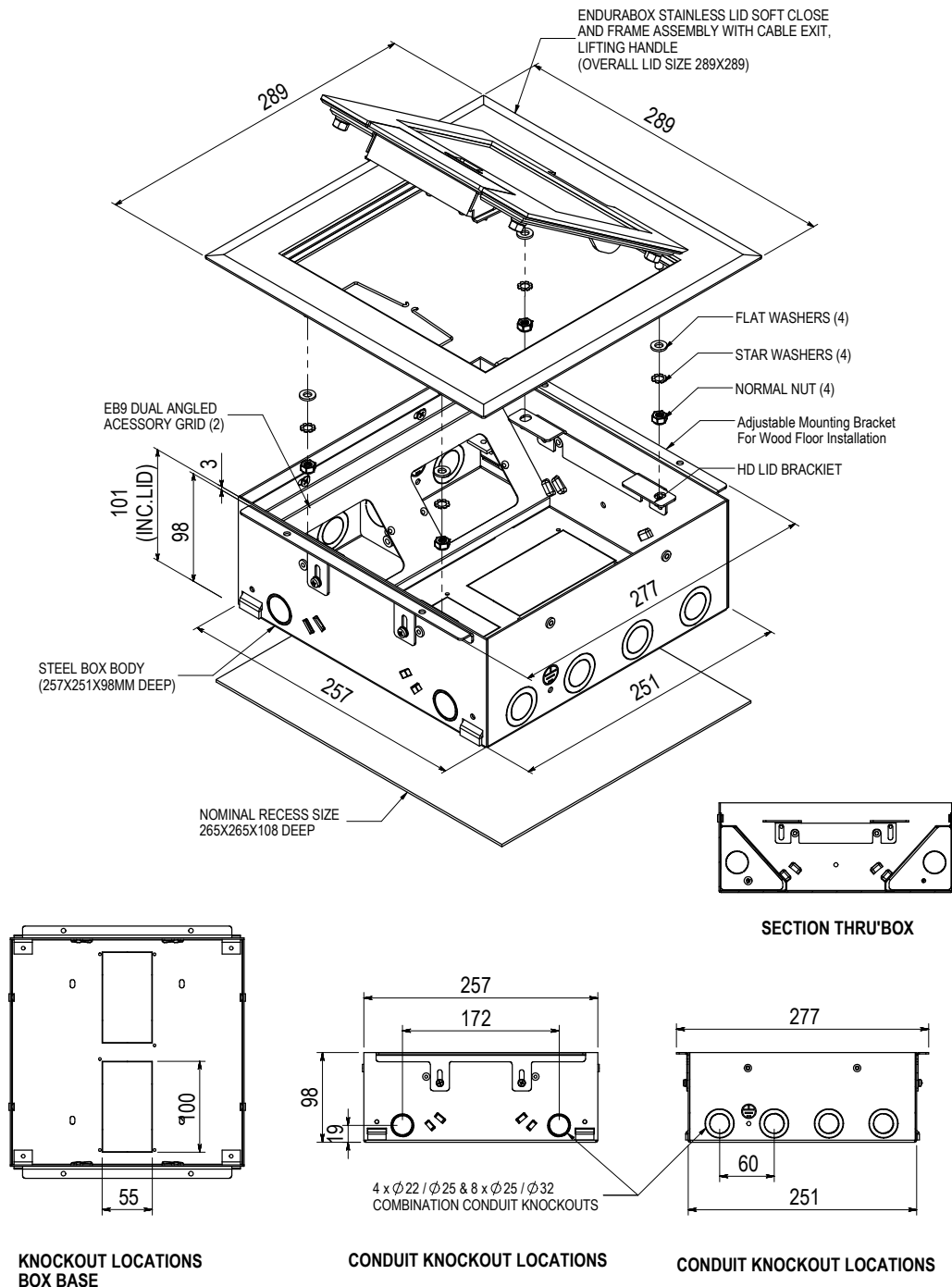
DATA SHEET

ASSEMBLY DIAGRAM

EB9SHDRB

MODEL DESCRIPTION

EB98 BOX, STAINLESS STEEL HEAVY DUTY RECESS SOFT CLOSE LID BEVEL SURROUND, 4 X PROVISION TO MOUNT STANDARD PLATE



PART NUMBER

EB9DCS

MODEL DESCRIPTION

EB98 BOX, DROP IN LID, CARPET SURROUND - 4 X PROVISION TO MOUNT STANDARD PLATE

- EnduraBox 98 Series Floor Box with Heavy Duty Drop in Lid and Carpet Surround
- Box size 257 x 251 x 98mm Deep
- Fitted with 4 x Provision To Mount Standard Plate



EB9DCS

esco
industries

THE ESCO GROUP OF COMPANIES

esco MARSH **MediTek**
industries

modempak

ESCO INDUSTRIES

89 Egerton St (Cnr Fariola & Egerton)
PO Box 6193, Silverwater
NSW 2128 AUSTRALIA

T 1300 879 363 F 1300 879 364

customer.service@escoindustries.com.au
www.escoindustries.com.au

MODEMPAK NZ

30 Fairfax Ave, Penrose
AUCKLAND 1642 NEW ZEALAND

D +64 9 526 1880 Freecall 0800 663 367

F +64 9 580 0606
customer.service@modempak.co.nz
www.modempak.co.nz

DATA SHEET

ASSEMBLY DIAGRAM

EB9DCS

MODEL DESCRIPTION

EB98 BOX, DROP IN LID, CARPET SURROUND - 4 X PROVISION TO MOUNT STANDARD PLATE

