

## PART NUMBER

**CM1VWH**

## MODEL DESCRIPTION

Socket Outlet Medical, Switched, Power Avail Neon, Circuit ID Provision, 10A, Vertical, White



### ANTIMICROBIAL RESILIENCE

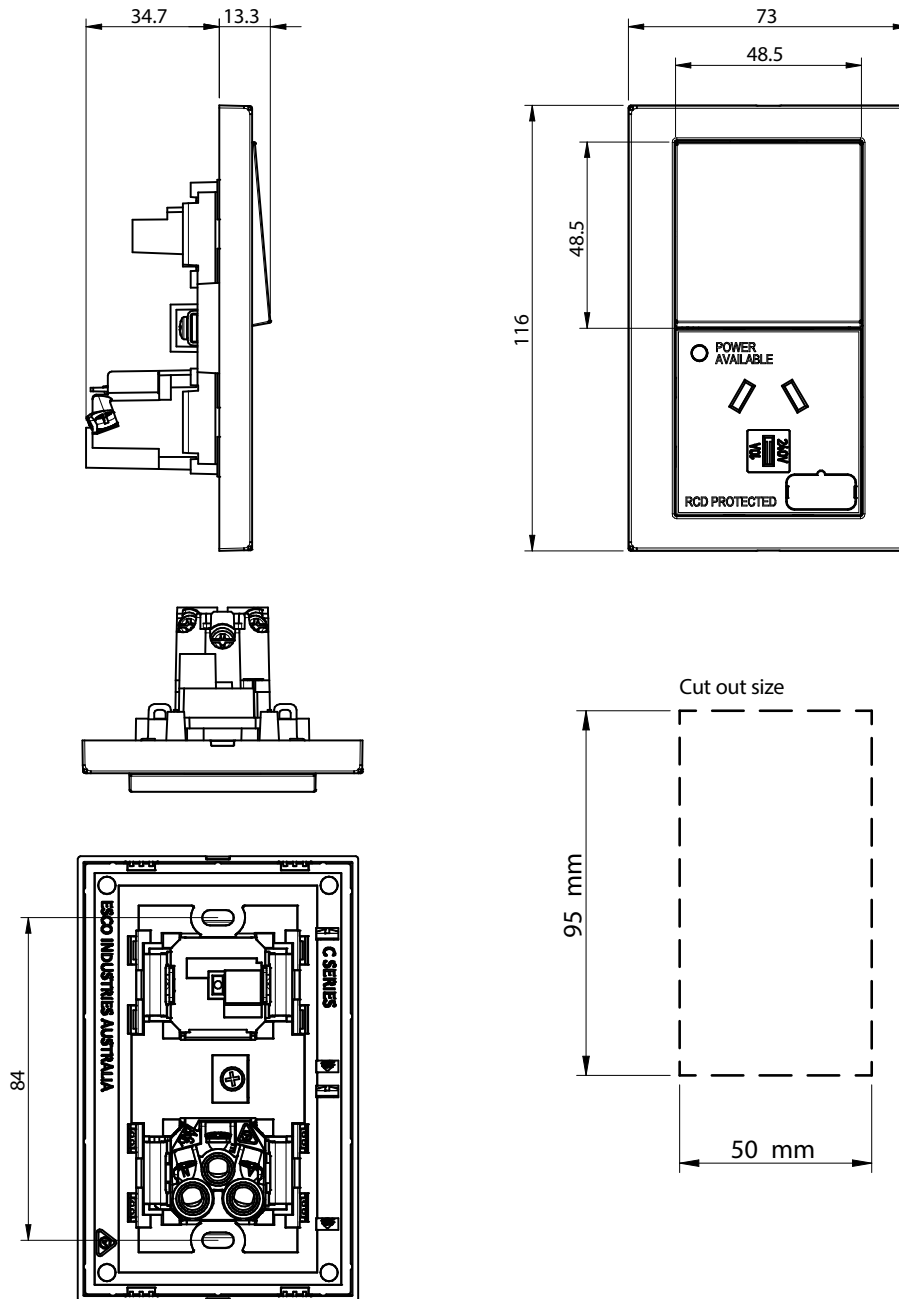
The Comfort Series is manufactured with an antimicrobial additive which has been independently tested by an accredited laboratory to ISO 22196 as being an effective antibacterial solution to inhibit or kill the growth of bacteria and fungi.



## TECHNICAL DATA

<b>PART NUMBER</b>	CM1VWH
<b>DESCRIPTION</b>	Socket Outlet Medical, Switched, Power Avail Neon, Circuit ID Provision, 10A, Vertical, White
<b>SUPPLY VOLTAGE</b>	250Va.c.
<b>CURRENT RATING</b>	10A
<b>COLOUR</b>	White
<b>MOUNTING CENTRE</b>	84mm
<b>PLATE SIZE</b>	Standard
<b>SWITCH SIZE</b>	48.5mm x 48.5mm
<b>COMPLIANCE</b>	AS/NZS3133, AS/NZS3112, ISO 22196, AS 1428.1 - Design for access and mobility, Livable Housing Design Guidelines – Switches & Powerpoints (Platinum Level)

**DIMENSIONS**



THE ESCO GROUP OF COMPANIES



**AUSTRALIA**

89 Egerton St (Cnr Fariola & Egerton)  
 PO Box 6193, Silverwater  
 NSW 2128 AUSTRALIA

T 1300 879 363 F 1300 879 364

customer.service@escoindustries.com.au  
 www.escoindustries.com.au

**NEW ZEALAND**

Unit 11/273 Neilson St, Onehunga  
 AUCKLAND 1061 NEW ZEALAND

D +64 9 526 1880 Freecall 0800 663 367

customer.service@escoindustries.co.nz  
 www.escoindustries.co.nz

# PART NUMBER

## CM1VRD

### MODEL DESCRIPTION

Socket Outlet Medical, Switched, Power Avail Neon, Circuit ID Provision, 10A, Vertical, Red



#### ANTIMICROBIAL RESILIENCE

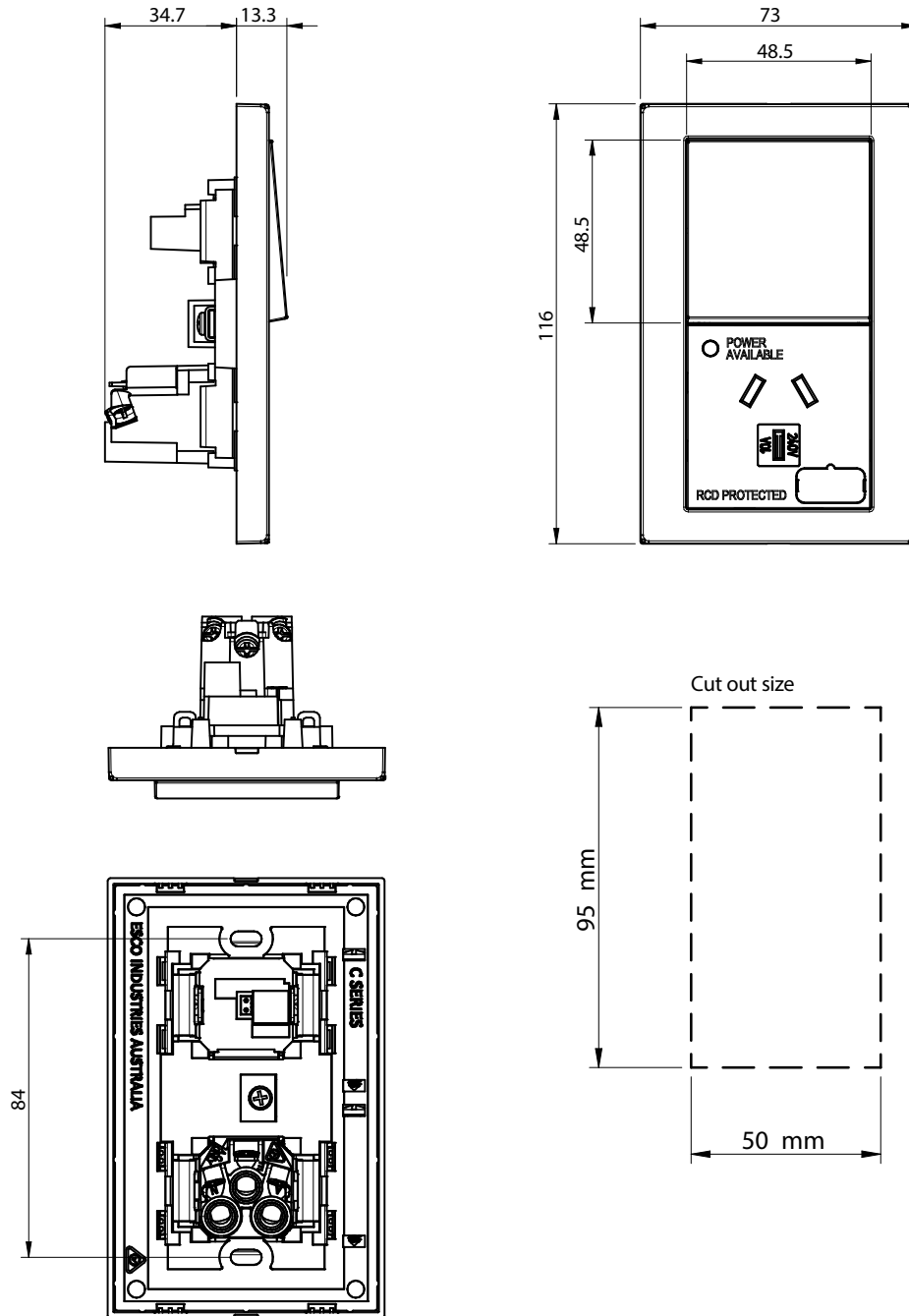
The Comfort Series is manufactured with an antimicrobial additive which has been independently tested by an accredited laboratory to ISO 22196 as being an effective antibacterial solution to inhibit or kill the growth of bacteria and fungi.



### TECHNICAL DATA

<b>PART NUMBER</b>	CM1VRD
<b>DESCRIPTION</b>	Socket Outlet Medical, Switched, Power Avail Neon, Circuit ID Provision,10A, Vertical, Red
<b>SUPPLY VOLTAGE</b>	250Va.c.
<b>CURRENT RATING</b>	10A
<b>COLOUR</b>	Red
<b>MOUNTING CENTRE</b>	84mm
<b>PLATE SIZE</b>	Standard
<b>SWITCH SIZE</b>	48.5mm x 48.5mm
<b>COMPLIANCE</b>	AS/NZS3133, AS/NZS3112, ISO 22196, AS 1428.1 - Design for access and mobility, Livable Housing Design Guidelines – Switches & Powerpoints (Platinum Level)

**DIMENSIONS**



THE ESCO GROUP OF COMPANIES



**AUSTRALIA**

89 Egerton St (Cnr Fariola & Egerton)  
 PO Box 6193, Silverwater  
 NSW 2128 AUSTRALIA

T 1300 879 363 F 1300 879 364

customer.service@escoindustries.com.au  
 www.escoindustries.com.au

**NEW ZEALAND**

Unit 11/273 Neilson St, Onehunga  
 AUCKLAND 1061 NEW ZEALAND

D +64 9 526 1880 Freecall 0800 663 367

customer.service@escoindustries.co.nz  
 www.escoindustries.co.nz