

## PART NUMBER

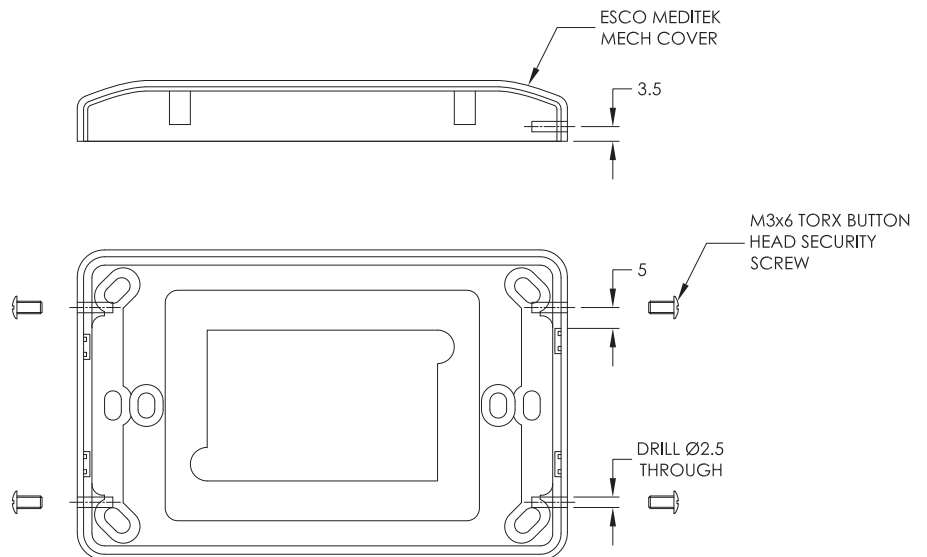
## ESOM1VR10WH-TP / ESOM1VR30WH-TP

### MODEL DESCRIPTION

Socket Outlets Switched 10 Amp 250Va.c. with Residual Current Device (RCD) 230-240Va.c. 20 Amp 10mA or 30mA with torx head security screw fixed cover



ESOM1VR10WH-TP



REAR VIEW

### TECHNICAL DATA

<b>PART NUMBER</b>	ESOM1VR10WH-TP / ESOM1VR30WH-TP	<b>MAXIMUM TRIPPING CURRENT</b>	RCD - 10mA or 30mA
<b>DESCRIPTION</b>	Socket Outlets Switched 10 Amp 250Va.c. with RCD 230-240Va.c. 20 Amp 10mA or 30mA with torx head security screw fixed cover	<b>RCD TYPE</b>	10mA - Type I / 30mA - Type II
<b>ORIENTATION</b>	Vertical	<b>WITHSTAND RATING</b>	3KA Circuit Protection by MCB or HRC Fuse 20A max
<b>SUPPLY VOLTAGE</b>	RCD - 230-240Va.c. / Socket Outlets - 250Va.c.	<b>COLOUR</b>	White (WH)
<b>FREQUENCY</b>	RCD - 50Hz	<b>MOUNTING CENTRES</b>	84mm
<b>POLES DESCRIPTION</b>	RCD - Double Pole / Socket Outlets - Single Pole	<b>COMPLIANCE</b>	AS/NZS 3190, AS/NZS 3003, AS/NZS 3112, ISO 22196
<b>MAXIMUM CURRENT</b>	RCD - 20A / Socket Outlets - 10A		

## PART NUMBER

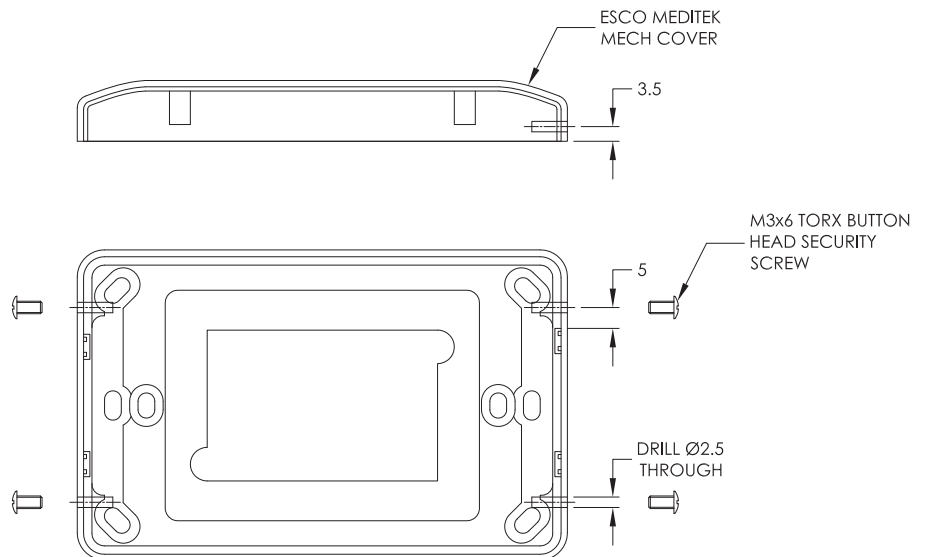
## ESOM2VR10WH-TP / ESOM2VR30WH-TP

### MODEL DESCRIPTION

Socket Outlets Switched 10 Amp 250Va.c. with Residual Current Device (RCD) 230-240Va.c. 20 Amp 10mA or 30mA with torx head security screw fixed cover



ESOM2VR10WH-TP



REAR VIEW

### TECHNICAL DATA

<b>PART NUMBER</b>	ESOM2VR10WH-TP / ESOM2VR30WH-TP	<b>MAXIMUM TRIPPING CURRENT</b>	RCD - 10mA or 30mA
<b>DESCRIPTION</b>	Socket Outlets Switched 10 Amp 250Va.c. with RCD 230-240Va.c. 20 Amp 10mA or 30mA with torx head security screw fixed cover	<b>RCD TYPE</b>	10mA - Type I / 30mA - Type II
<b>ORIENTATION</b>	Vertical	<b>WITHSTAND RATING</b>	3KA Circuit Protection by MCB or HRC Fuse 20A max
<b>SUPPLY VOLTAGE</b>	RCD - 230-240Va.c. / Socket Outlets - 250Va.c.	<b>COLOUR</b>	White (WH)
<b>FREQUENCY</b>	RCD - 50Hz	<b>MOUNTING CENTRES</b>	84mm
<b>POLES DESCRIPTION</b>	RCD - Double Pole / Socket Outlets - Single Pole	<b>COMPLIANCE</b>	AS/NZS 3190, AS/NZS 3003, AS/NZS 3112, ISO 22196
<b>MAXIMUM CURRENT</b>	RCD - 20A / Socket Outlets - 10A		