

PART NUMBER

ESOM2R10-TP, ESOM2R30-TP

PART NUMBER:
ESOM2R

XX	XX	-TP
10mA OR 30mA	COLOUR	
10 = 10mA	WH = White	
30 = 30mA	RD = Red	
	DB = Dark Blue	

MODEL DESCRIPTION

Socket Outlets Switched 10 Amp 250Va.c. with Residual Current Device (RCD)
230-240Va.c. 20 Amp 10mA or 30mA with torx head security screw fixed cover



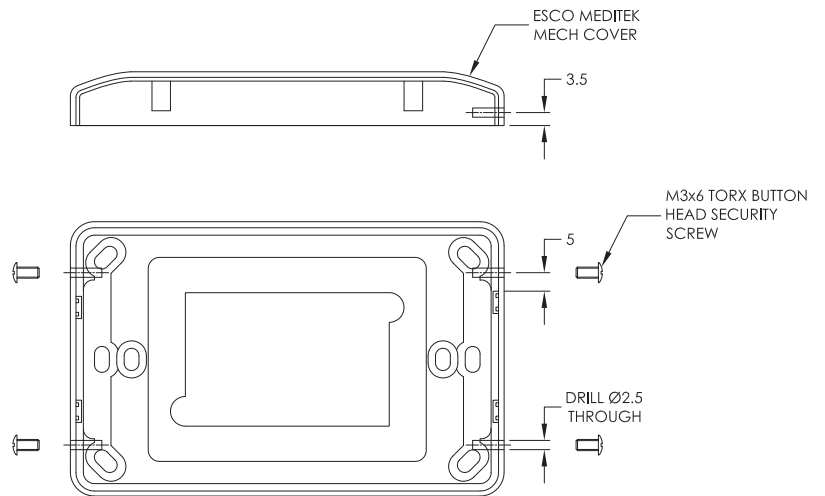
ESOM2R10WH-TP



ESOM2R10DB-TP



ESOM2R10RD-TP



REAR VIEW

TECHNICAL DATA

PART NUMBER	ESOM2R10-TP, ESOM2R30-TP	MAXIMUM TRIPPING CURRENT	RCD - 10mA or 30mA
DESCRIPTION	Socket Outlets Switched 10 Amp 250Va.c. with RCD 230-240Va.c. 20 Amp 10mA or 30mA with torx head security screw fixed cover	RCD TYPE	10mA - Type I / 30mA - Type II
ORIENTATION	Horizontal	WITHSTAND RATING	3KA Circuit Protection by MCB or HRC Fuse 20A max
SUPPLY VOLTAGE	RCD - 230-240Va.c. / Socket Outlets - 250Va.c.	COLOUR	White (WH), Red (RD), Dark Blue (DB)
FREQUENCY	RCD - 50Hz	MOUNTING CENTRES	84mm
POLES DESCRIPTION	RCD - Double Pole / Socket Outlets - Single Pole	COMPLIANCE	AS/NZS 3190, AS/NZS 3003, AS/NZS 3112, ISO 22196
MAXIMUM CURRENT	RCD - 20A / Socket Outlets - 10A		