

PART NUMBER

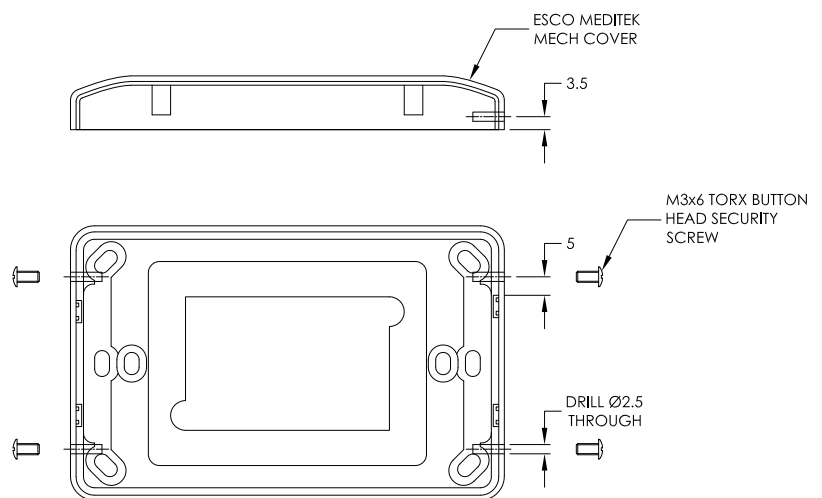
ESOM2RC10BE-TP

MODEL DESCRIPTION

Socket Outlets Switched 10 Amp 250Va.c. with Residual Current Device (RCD) 230-240Va.c. 20 Amp Type 1 10mA, marked "CLEANING PURPOSES ONLY" with torx head security screw fixed cover



ESOM2RC10BE-TP



REAR VIEW

TECHNICAL DATA

PART NUMBER	ESOM2RC10BE-TP	MAXIMUM TRIPPING CURRENT	RCD - 10mA
DESCRIPTION	Socket Outlets Switched 10 Amp 250Va.c. with RCD 230-240Va.c. 20 Amp Type 1 10mA, marked "CLEANING PURPOSES ONLY" with torx head security screw fixed cover	RCD TYPE	Type I RCD
ORIENTATION	Horizontal	WITHSTAND RATING	3KA Circuit Protection by MCB or HRC Fuse 20A max
SUPPLY VOLTAGE	RCD - 230-240Va.c. / Socket Outlets - 250Va.c.	COLOUR	Beige (BE) (cleaning purposes only)
FREQUENCY	RCD - 50Hz	MOUNTING CENTRES	84mm
POLES DESCRIPTION	RCD - Double Pole / Socket Outlets - Single Pole	COMPLIANCE	AS/NZS 3190, AS/NZS 3003, AS/NZS 3112, ISO 22196
MAXIMUM CURRENT	RCD - 20A / Socket Outlets - 10A		



ESCO INDUSTRIES
89 Egerton St (Cnr Fariola & Egerton)
PO Box 6193, Silverwater
NSW 2128 AUSTRALIA

T 1300 879 363 F 1300 879 364
customer.service@escoindustries.com.au
www.escoindustries.com.au

THE ESCO GROUP OF COMPANIES
esco industries **MASRAP MediTek**
modempak

MODEMPAK NZ
Unit 11/273 Neilson St, Onehunga
AUCKLAND 1061 NEW ZEALAND

D +64 9 526 1880 **Freecall** 0800 663 367
customer.service@modempak.co.nz
www.modempak.co.nz