

PART NUMBER

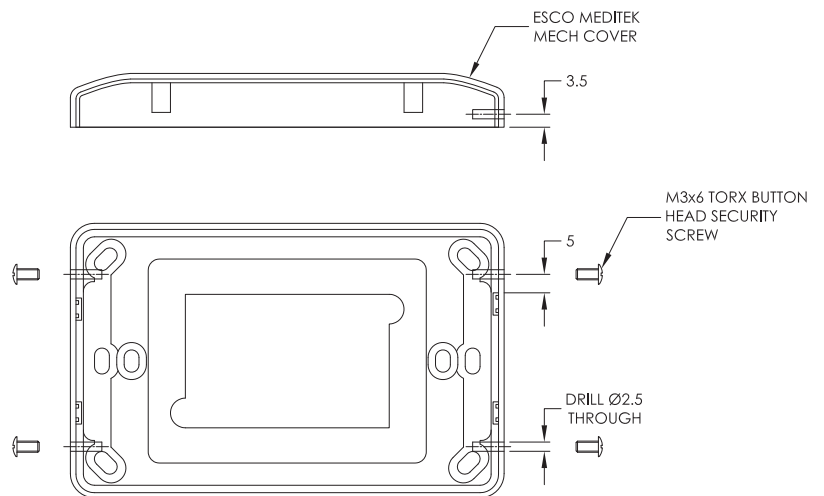
ESOMHR10-TP / ESOMHR30-TP

MODEL DESCRIPTION

Residual Current Device (RCD) 230-240Va.c. 20 Amp 10mA or 30mA with torx head security screw fixed cover



ESOMHR10-TP



REAR VIEW

TECHNICAL DATA

PART NUMBER	ESOMHR10-TP / ESOMHR30-TP	MAX TRIPPING CURRENT	10mA or 30mA
DESCRIPTION	RCD 230-240Va.c. 20 Amp 10mA or 30mA with torx head security screw fixed cover	RCD TYPE	10mA - Type I / 30mA - Type II
ORIENTATION	Horizontal	WITHSTAND RATING	3KA Circuit Protection by MCB or HRC Fuse 20A max
SUPPLY VOLTAGE	230-240Va.c.	COLOUR	Universal - White (WH), Red (RD), Dark Blue (DB)
FREQUENCY	50Hz	MOUNTING CENTRES	84mm
POLES DESCRIPTION	Double Pole	COMPLIANCE	AS/NZS 3190, AS/NZS 3003, ISO 22196
MAX CURRENT	20A		