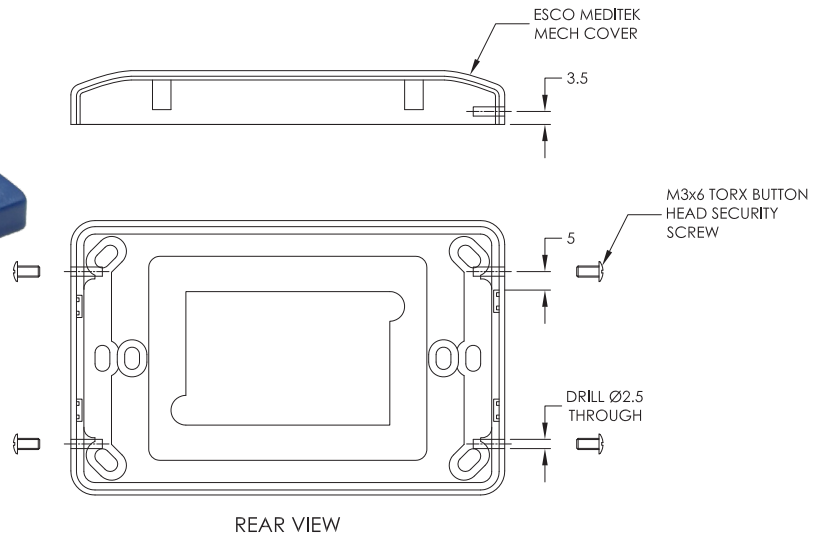


## PART NUMBER

## ESOMVR10-TP / ESOMVR30-TP

### MODEL DESCRIPTION

Residual Current Device (RCD) 230-240Va.c. 20 Amp 10mA or 30mA with torx head security screw fixed cover



### TECHNICAL DATA

<b>PART NUMBER</b>	ESOMVR10-TP / ESOMVR30-TP	<b>MAX TRIPPING CURRENT</b>	10mA or 30mA
<b>DESCRIPTION</b>	RCD 230-240Va.c. 20 Amp 10mA or 30mA with torx head security screw fixed cover	<b>RCD TYPE</b>	10mA - Type I / 30mA - Type II
<b>ORIENTATION</b>	Vertical	<b>WITHSTAND RATING</b>	3KA Circuit Protection by MCB or HRC Fuse 20A max
<b>SUPPLY VOLTAGE</b>	230-240Va.c.	<b>COLOUR</b>	Universal - White (WH), Red (RD), Dark Blue (DB)
<b>FREQUENCY</b>	50Hz	<b>MOUNTING CENTRES</b>	84mm
<b>POLES DESCRIPTION</b>	Double Pole	<b>COMPLIANCE</b>	AS/NZS 3190, AS/NZS 3003, ISO 22196
<b>MAX CURRENT</b>	20A		



THE ESCO GROUP OF COMPANIES  
**ESCO** industries  
 MASRAP **MediTek**  
 modempak

**ESCO INDUSTRIES**  
 89 Egerton St (Cnr Fariola & Egerton)  
 PO Box 6193, Silverwater  
 NSW 2128 AUSTRALIA

**MODEMPAK NZ**  
 Unit 11/273 Neilson St, Onehunga  
 AUCKLAND 1061 NEW ZEALAND

T 1300 879 363 F 1300 879 364  
 customer.service@escoindustries.com.au  
 www.escoindustries.com.au

D +64 9 526 1880 **Freecall** 0800 663 367  
 customer.service@modempak.co.nz  
 www.modempak.co.nz