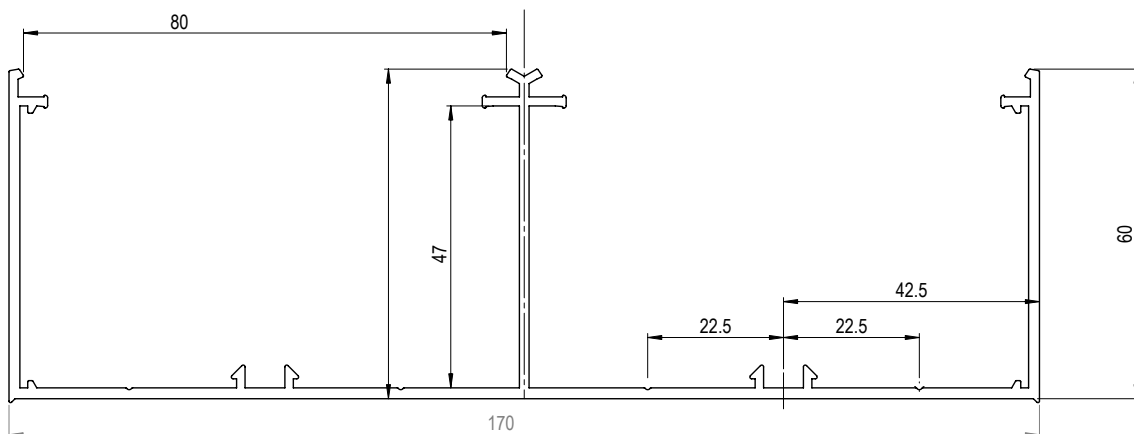


**PART NUMBER
SKIRTING CHANNEL / 170x60**

MODEL DESCRIPTION

COMPLETE POWER/ DATA CABLE SKIRTING CHANNEL SYSTEM - 85, 110 AND 170MM DEEP

- Complete Power/ Data cable channel system - 85, 110 and 170mm deep
- 3 metre lengths
- CAT6/6A capable
- Available in the range of Dulux powder coat colours
- Standard ex stock colour - Penrose White and Black
- Full segregation of power and data cables
- High quality aluminium duct body with snap-on cover plates
- Single or double compartment
- Clip-on removable cable dividers
- Power and Data outlets surface mount
- Compatible with all major brands of outlets



Trunking



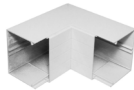
SIZE	BODY & LIDS	DESCRIPTION	FINISH
170x60	14173001	CAT6 DUCT 170MM BODY 3M	Mill*
	14173201-BL	CAT6 DUCT 170MM BODY 3M BLACK	Satin Black
	14173201-PW	CAT6 DUCT 170MM BODY 3M P/C PW	Penrose White

External Bends



SIZE	BENDS	DESCRIPTION	FINISH
170 x 60	14173002	CAT6 DUCT 170MM EXT CNR	Mill*
	14173002	CAT6 DUCT 170MM EXT CNR BL	Satin Black
	14173202	CAT6 DUCT 170MM EXT CNR PW	Penrose White

Internal Bends



SIZE	BENDS	DESCRIPTION	FINISH
170 x 60	14173003	CAT6 DUCT 170MM INT CNR	Mill*
	14173003	CAT6 DUCT 170MM INT CNR BL	Satin Black
	14173203	CAT6 DUCT 170MM INT CNR PW	Penrose White

Right Angle Bends



SIZE	BENDS	DESCRIPTION	FINISH
170 x 60	14173005	CAT6 DUCT 170MM VERT ANGLE	Mill*
	14173005	CAT6 DUCT 170MM VERT ANGLE BL	Satin Black
	14173205	CAT6 DUCT 170MM VERT ANGLE PW	Penrose White

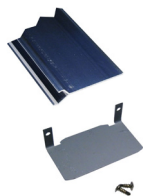
End Caps



SIZE	BENDS	DESCRIPTION	FINISH
170 x 60	14173004	CAT6 DUCT 170MM END CAP	Mill*
	14173004	CAT6 DUCT 170MM END CAP BL	Satin Black
	14173204	CAT6 DUCT 170MM END CAP PW	Penrose White

*Please note that Mill Finish is the base for Powder Coating a specified Colour from Dulux

All other accessories



CODES	DESCRIPTION
14190115	CAT6 DUCT DIVIDER
14190116	CAT6 DUCT UNIVERSAL JOINER KIT

Mounting Kits

CODES	DESCRIPTION
14190117	CAT6 DUCT FACE MOUNT KIT WHITE
14190120	CAT6 DUCT FACE MOUNT KIT BLACK
14190119	CAT6 DUCT FACE MOUNT KIT GREY

