

modempak

Surface Mounted Medical Services Panels



Surface Mounted Medical Service Panels (MSP)

Modempak's range of surface mounted Medical Service Panels (MSP's) are manufactured in New Zealand using locally made products made from extruded aluminium. Modempak's MSP's provide leading edge design and incorporate outlets that are fully recessed into the body of the trunking.

Our MSP's typically involve a partnership in design as we assist customers in designing a product to meet their exact needs which are made easier by the large range of sizes and layouts Modempak offers.

The flexibility in our design and product capability means Modempak will always have a solution that suits your budget and the functionality and aesthetic you're looking for.

Modempak is also the proud exclusive distributor of the MediTek range of electrical accessories in New Zealand. This range of product complies with the relevant Australian and New Zealand standards, as well as standards for patient treatment areas, including AS/NZS3003, "Electrical Installations – patient treatment areas of hospitals, medical and dental practices".

Medical Surface Panel Types

Surface Mounted - Features & Inclusions

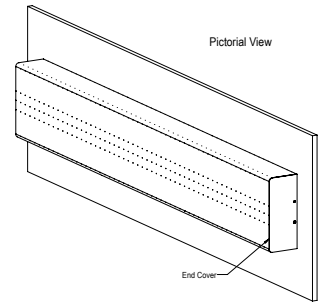
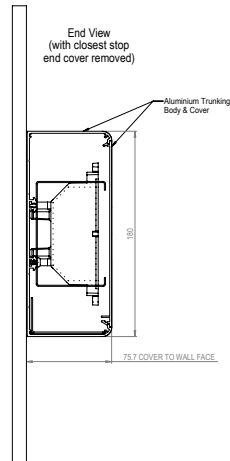
- Manufactured in New Zealand using locally made products
- Made from extruded aluminium
- Individually tailored and designed for the relevant budget and look required
- Outlets fully recessed into body of trunking for safety and ease of cleaning
- Come complete with the Esco Industries range of electrical switchgear (MediTek) and gas terminals
- Available in any Dulux Powdercoat colour.
- Cat 6 compliant.
- 3 compartments for complete segregation of services.

SURFACE MOUNTED

Medical Service Panels

MSP Type - "Basic"

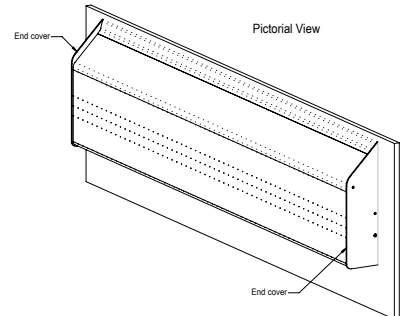
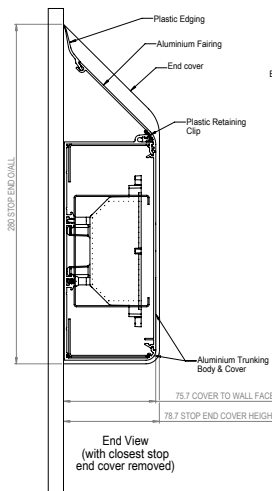
180mm x 75mm.



MODEMPAK MEDICAL SERVICES TRUNKING
MSP180 x 75. BASIC OPTION

MSP Type - "Single Faring"

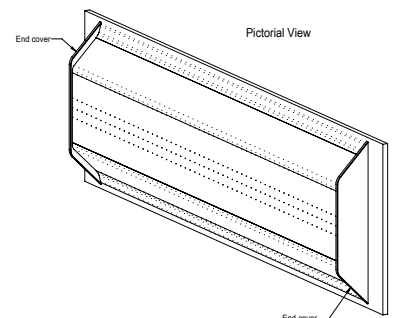
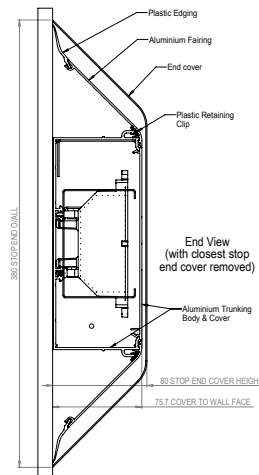
180mm x 75mm. Overall Height Including Fairing - 280mm



MODEMPAK MEDICAL SERVICES TRUNKING
MSP180 x 75. SINGLE FAIRING OPTION

MSP Type - "Double Faring"

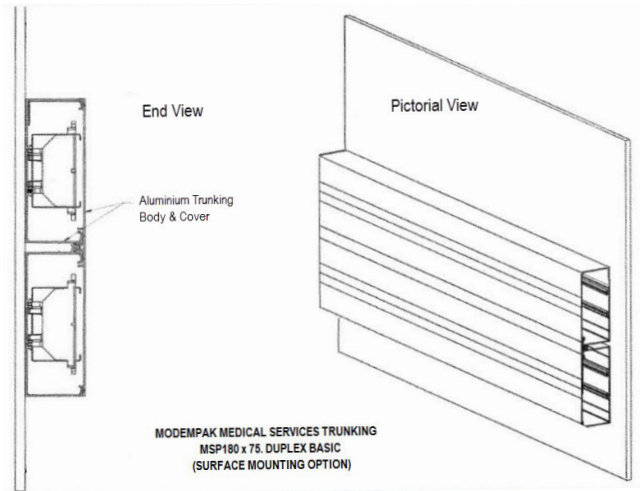
180mm x 75mm. Overall Height Including Double Fairing - 380mm



MODEMPAK MEDICAL SERVICES TRUNKING
MSP180 x 75. DUAL FAIRING
(SURFACE MOUNT OPTION)

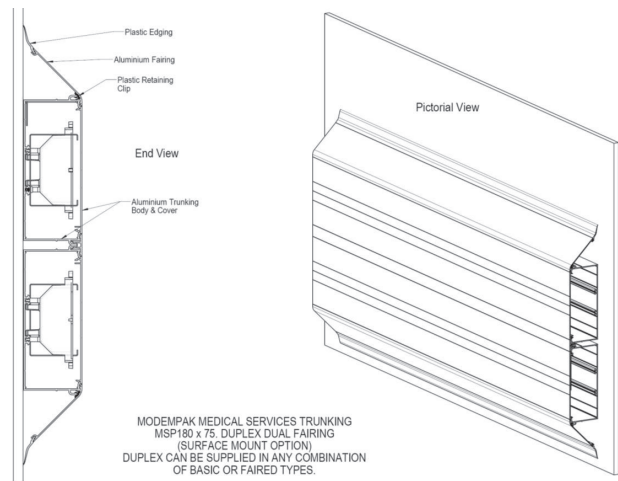
MSP Type - "Duplex Basic"

2 x 180mm x 75mm. Overall Height Including Joining Strip - 410mm (approx.)



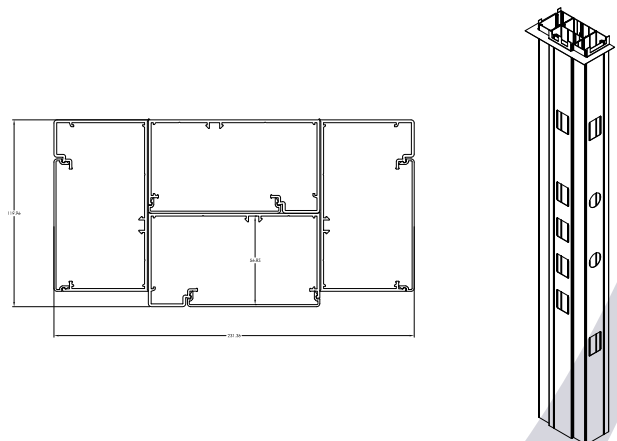
MSP Type - "Duplex Double Faring"

2 x 180mm x 75mm. Overall Height Including Joining Strip and Fairings - 610mm (approx.)



MSP Type - "Vertical"

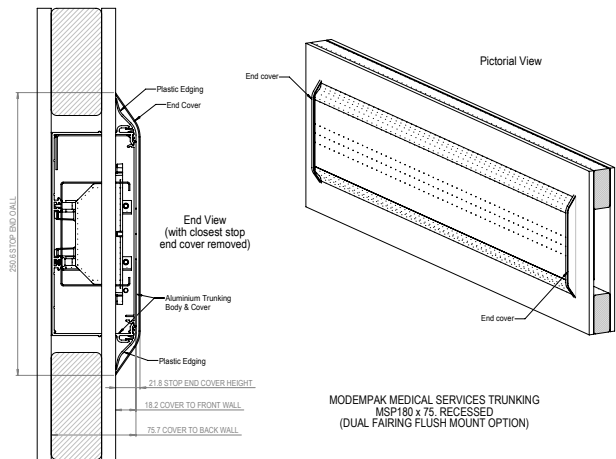
231.36mm x 119.96mm. Overall (Height Varies). Three Usable Compartments



SERVICE PANELS

MSP Type - "Semi Recessed"

180mm x 75mm. Overall Height Including Double Fairing - 250.6mm
 18.2mm cover to front wall



Modempak – a member of the Esco Industries group of companies

Esco Industries has a long and proud tradition within Australia as one of the largest and oldest vertically integrated companies that designs, manufactures, and distributes products for two intersecting markets: medical engineering and electrical distribution. As an Australian-owned, privately held business, we are an ISO9001 (Quality Management Systems) certified organisation with a long-established reputation for innovation and development. Our business ethos has remained consistent – we design industry-leading technology engineered for performance and longevity.

Comprising three business units; Esco Industries, Masrap MediTek and Modempak, we continually strive to advance and improve our products and service offerings. Our solutions are used throughout Australia, New Zealand and Asia, providing critical services in environments where performance cannot be compromised.

Esco Industries has been a major player in the healthcare industry for 70 years, with our main manufacturing facility and head office proudly located in Silverwater, NSW, with additional offices around Australia and New Zealand.

Our highly qualified and experienced engineers, coupled with our manufacturing flexibility and capacity, vertical integration, and a sales and management team that boasts over 100 years of collective industry experience, make us the most experienced and capable business in our field of expertise.

Esco Industries range of Medical Service Panels (MSP's) - View Range

In addition to the Modempak Medical Service Panels highlighted in this brochure, Esco Industries have a large range of recessed and surface mounted MSP's which are available to the New Zealand market through our Modempak business:

Recessed:

- Alphamax

Surface Mounted:

- Max 180

The ESCO Industries MSP brochure is available [here](#).



Alphamax

esco industries

HEAD OFFICE

89 Egerton Street
(Cnr Fariola & Egerton)
Silverwater, NSW 2128, Australia

T: 1300 879 363

F: 1300 879 364

customer.service@Escoindustries.com.au

www.Escoindustries.com.au

MODEMPAK NZ

30 Fairfax Ave,
Penrose, Auckland 1642, New Zealand

D: +64 9 526 1880

Freecall: 0800 663 367

F: +64 9 580 0606

customer.service@modempak.co.nz

www.modempak.co.nz

THE Esco GROUP OF COMPANIES

esco industries MASBP MediTek modempak

All products and information listed are accurate as of 3 October 2023.