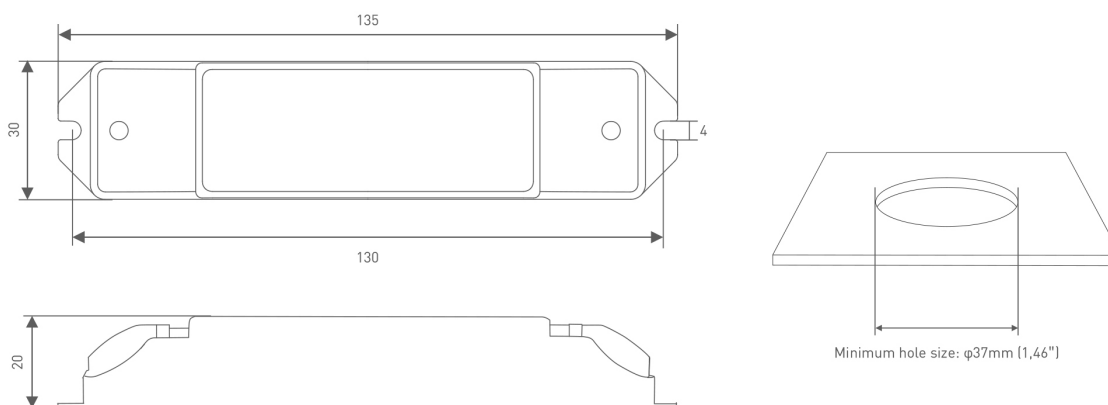
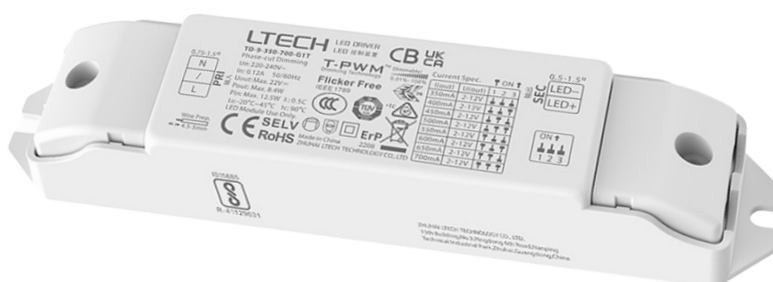


## PART NUMBER

**CNLDRV1**

## MODEL DESCRIPTION

LED Driver, Zhuhai, 220-240Vac, 50/60Hz, 350-700mA 9W



## TECHNICAL DATA

<b>PART NUMBER</b>	CNLDRV1	<b>SUPPLY VOLTAGE</b>	220-240Vac
<b>DESCRIPTION</b>	LED Driver, Zhuhai, 220-240Vac, 50/60Hz, 350-700mA 9W	<b>CURRENT RATING</b>	9W
<b>OUTPUT TYPE</b>	Constant Current	<b>COLOUR</b>	White
<b>PROTECTION GRADE</b>	IP20	<b>COMPLIANCE</b>	AS 61347.2.13:2018, AS/NZS 61347.1:2016 Inc A1

**esco**  
**industries**

**ESCO INDUSTRIES**  
 89 Egerton St (Cnr Fariola & Egerton)  
 PO Box 6193, Silverwater  
 NSW 2128 AUSTRALIA

T 1300 879 363 F 1300 879 364  
 customer.service@escoindustries.com.au  
 www.escoindustries.com.au

THE ESCO GROUP OF COMPANIES

**esco** MASRAP  
 industries **MediTek**

modempak

**MODEMPAK NZ**  
 Unit 11/273 Neilson St, Onehunga  
 AUCKLAND 1061 NEW ZEALAND

D +64 9 526 1880 **Freecall** 0800 663 367  
 customer.service@modempak.co.nz  
 www.modempak.co.nz